

LT25 Linear Cable Position Transducer

BEI Industrial Encoders



Model LT25 linear cable position transducer provides digital position and speed information in a rugged, easy-to-install package. Simply connect the cable to your moving equipment and secure the base to a fixed object. No need to worry about shaft misalignment. The sturdy measuring cable is made of nylon coated stainless steel for ultimate strength, with a measurement range up to 125 inches. This unit is ideal for wet, dirty or outdoor environments and applications where your measuring range travels over harsh environments.

Mechanical Specifications

Enclosure: Anodized Aluminum and glass filled polycarbonate (transducer), die cast aluminum (encoder)
Measuring Range: 0 to 125 Inches
Measuring Cable: Nylon Coated Stainless Steel (.034 Dia.)
Maximum Velocity: 80" per second
Measuring Cable Tension: 24.8 ± 30% oz
Rotational Sensitivity: 12" ± .020 in/rev
Maximum Retraction Acceleration: 10 G
Weight: Approximately 3.3 lbs (max)
Mechanical life of cable: 1.3 million cycles (min)
 (1 cycle = 1 extension + 1 retraction)

Electrical Specifications

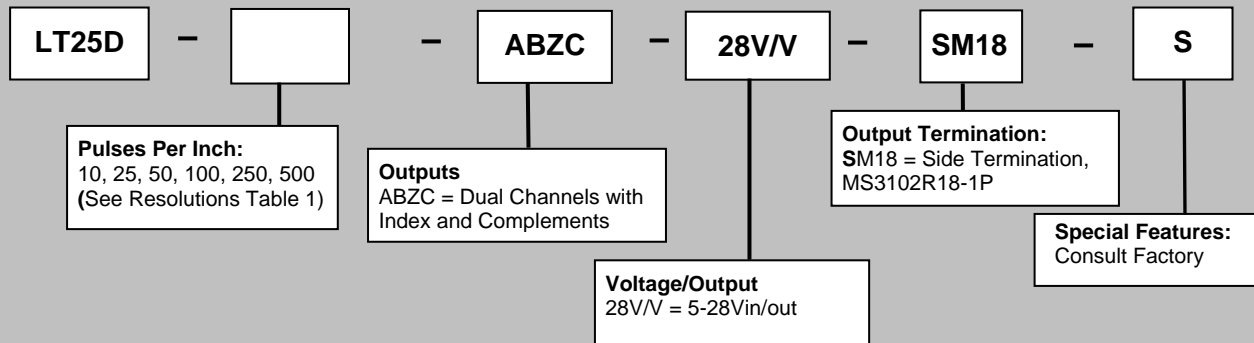
Supply Voltage: 5-28 VDC available
Voltage/Output: 25V/V: 5-28 VDC in, Vout = Vin
Current Requirements: 100 mA typical + output load, 250 mA max
Protection Level: Reverse, over voltage and output short circuit
Code: Incremental
Output Format: 2 Channels in quadrature, with ½ cycle index gated with negative B channel
Resolution: Pulses per Inch (see Table 1)
Output Termination: M18 Connector (See Table 2)

Environmental Specifications

Enclosure Rating: IP66
Temperature: Operating, 0° to 70°C; storage (non-operating), -25° to 90°C. Consult factory for extended temperature ratings.
Shock: 50 g's for 11 msec duration
Vibration: 5 to 2000 Hz @ 20 g's
Humidity: 98% RH without condensation

LT25 Linear Cable Position Transducer Ordering Options *For assistance, call 800-350-2727*

Use this diagram, working from left to right, to construct your model number.
 Example: **LT25D-100-ABZC-28V/V-SM18**



LT25 Linear Cable Position Transducer

BEI Industrial Encoders

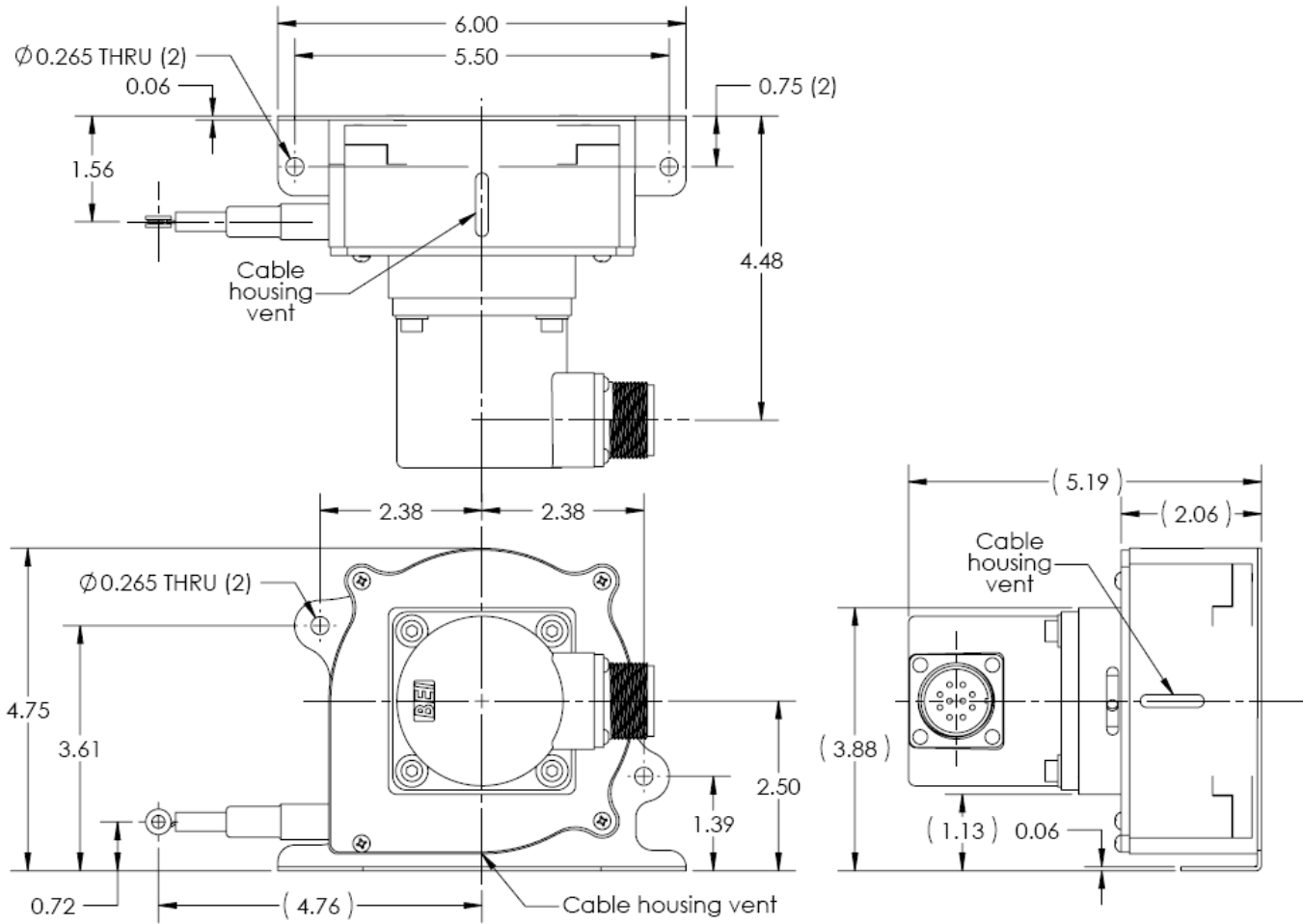


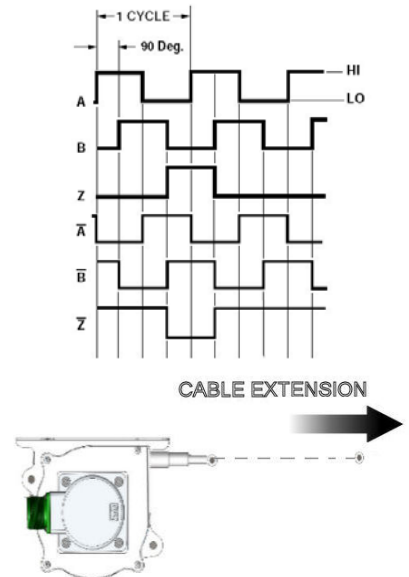
Table 1: Resolution Options

Pulses Per Inch	Resolution (in inches)
10	.100"
25	.040"
50	.020"
100	.010"
250	.004"
500	.002"

Table 2: Output Termination

M18 Connector	
PIN	CHANNEL
A	A
B	B
C	Z
D	+V
E	---
F	0V
G	CG
H	A/
I	B/
J	Z/

Output Waveform



These commodities, technology or software, if exported from the United States must be in accordance with the Bureau of Industry, Export Administration Regulations. Diversion contrary to U.S. law is prohibited.

A leads B for cable extension
B leads A for cable retraction