

# BEI Encoder Adapters

All adapter assemblies can be ordered as a completed assembly with an encoder or separately as a kit. All adapter kits will be provided with the necessary hardware to assemble the adapter onto the encoder only.

Please contact the factory for applications assistance in determining the proper adapter configuration for your system.

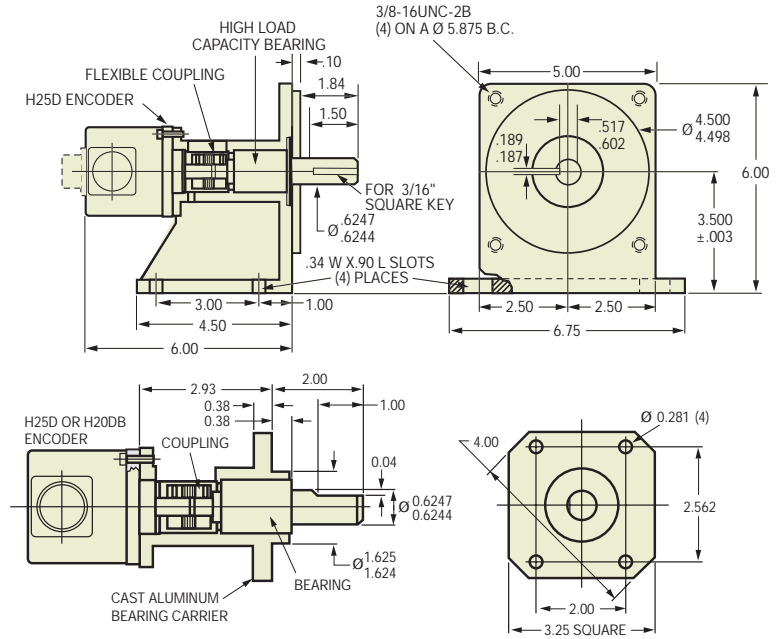
## Hi-Load Bearing Assemblies

The high load bearing assemblies come in two styles: foot-mounted and flange-mounted. The foot-mounted version mates to a 56C motor face while the flange-mounted version features a standard 4-hole flange mount. The high load bearing assemblies accommodate the H20D, H25D and H38D square flange series encoders. Optional shaft configurations are available upon request. Consult the factory.

Foot-mounted

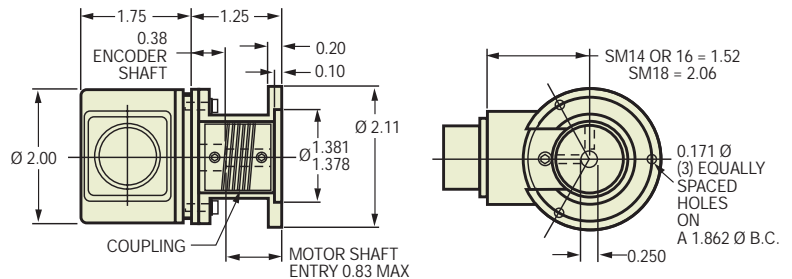


Square Flange-mounted



## NEMA 23

The NEMA 23 flange mount adapter allows for mating a Model H20E with an F28 face mount encoder to a standard NEMA 23 motor frame.

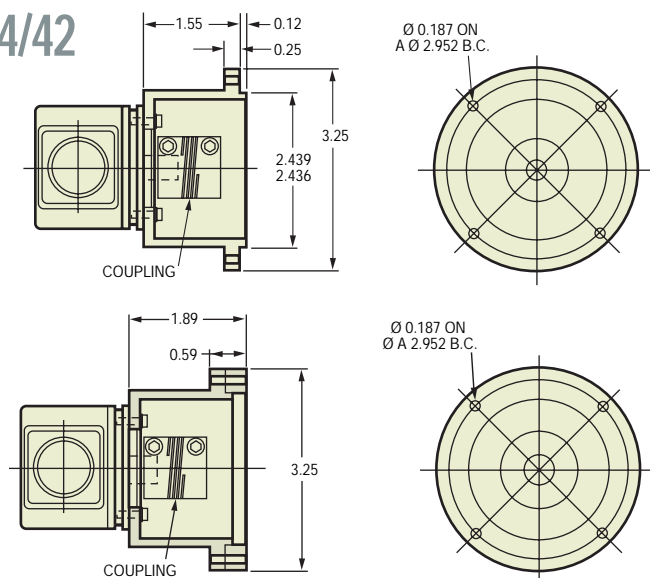


## Thermoplastic Adapter & NEMA 34/42

This thermoplastic adapter allows easy mounting of either an H20E with an F12 face mount or an H25E with an F45 face mount. Thermoplastic material provides thermal and electrical isolation. With the addition of the aluminum NEMA 34/42 mounting ring, the encoder will mount directly to a NEMA 34/42 motor housing. Regular or insulated couplings are available. Consult the factory.

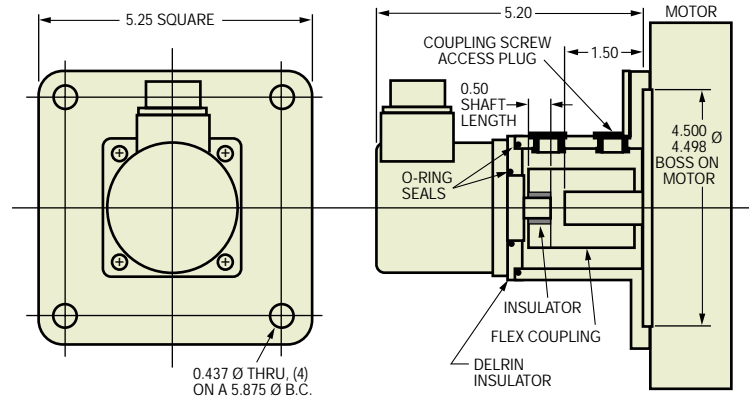


Adapter with NEMA 34/42 Mounting Ring



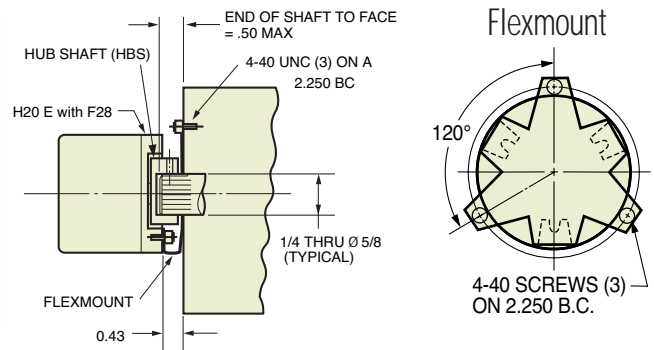
## NEMA 56

This adapter can be used to mount an H25E with F1 face mount, H25D, or H38D square flange series encoder to a size 56 motor frame. The assembly is provided with a flexible coupling to accommodate a 5/8" diameter shaft.



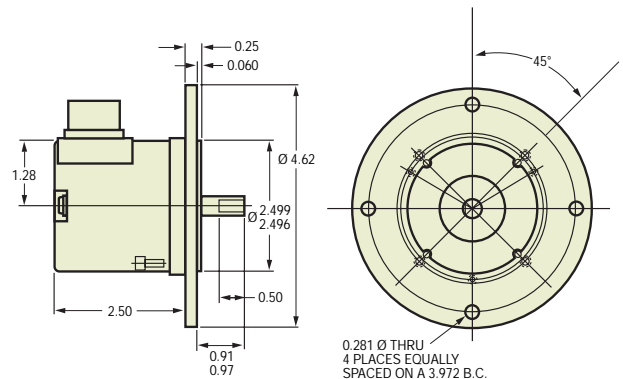
## H20 Hub Shaft

This is also shown under the H20 model description in the Specifying Guide portion of this manual. The Hub Shaft with flexmount is a versatile, general purpose mounting that can accommodate shafts from 1/4" up to 5/8" readily in a compact package. The flexmount kit includes mounting hardware to assemble the flexmount to the encoder only.



## 5PY

This is a standard 5PY style motor adapter. It comes in aluminum or Delrin plastic versions and can accommodate a Model H20D, H25D square flange encoder, or H25E with three synchro-clamps (page 46).



## Encoder Adapter Ordering Information

### HI-LOAD BEARING ASSEMBLIES Foot-mounted NEMA 56C

H25D series part number 11009-001  
H20D series part number 11009-002  
H38D series part number 11009-003

### Square-flange mount

H25D series part number 11008-000  
H20D series part number 11008-003  
H38D series part number 11008-004

### NEMA 23 ADAPTER

H20 Series: Part Number 38229-001  
Note: The NEMA 23 adapter kit can be ordered with either a 1/4" or 3/8" inside diameter coupling, please specify when ordering. Couplings are ordered separately.

### THERMOPLASTIC ADAPTER & NEMA 34/42

H20/H25 series part number 31170-001  
H20/H25, NEMA 34/42 Kit 31170-003  
Note: Includes adapter and mounting hardware only. Couplings are available for shaft diameters from 1/4 to 1/2 inch. Couplings are ordered separately.

### NEMA 56 ADAPTER

H25E Series (incl. Delrin Insul.): Part No. 11012-002  
H25D Series (no Delrin Insul.): Part No. 11012-006  
NOTE: H25 kits must specify 0.5" long shaft  
H38D Series (incl. Delrin Insul.): Part No. 11012-003

### H20 HUB SHAFT WITH FLEXMOUNT

Flexmount Kit: Part Number 31134-001

### 5PY ADAPTER

Aluminum Adapter: Part Number 38228-001  
Delrin Adapter: Part Number 38228-002